

**PLEASE CHECK WWW.MOLEX.COM FOR LATEST PART INFORMATION**

**Part Number:** [0351820392](#)  
**Status:** **Active**  
**Description:** 1.78mm (.070") Tab, 8.50mm (.335") Pitch Wire-to-Wire Female Housing TPA™, 3 Circuits, Vertical, Red

**Documents:**

<a href="#">Drawing (PDF)</a>	<a href="#">Product Specification PS-35182-003 (PDF)</a>
<a href="#">Product Specification PS-35180-002 (PDF)</a>	<a href="#">RoHS Certificate of Compliance (PDF)</a>
<a href="#">Product Specification PS-35180-003 (PDF)</a>	

**General**

Product Family	Accessories
Series	<a href="#">35182</a>
Component Type	Retainer
Product Name	TPA™ - Term Pos Assurance

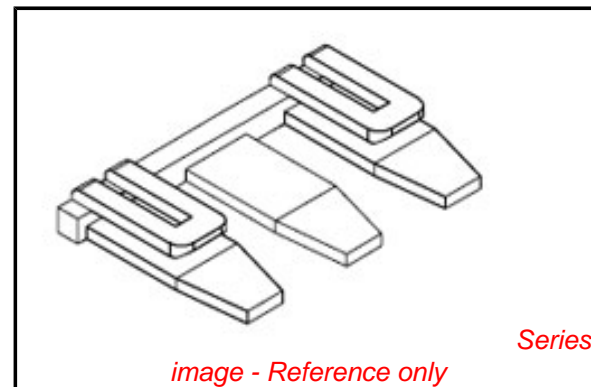
**Physical**

Circuits (Loaded)	3
Color - Resin	Red
Lock to Mating Part	Yes
Material - Resin	Nylon
Number of Rows	1
Packaging Type	Bag
Temperature Range - Operating	-40°C to +120°C

**Material Info**

**Reference - Drawing Numbers**

Product Specification	PS-35180-002, PS-35180-003, PS-35182-003
Sales Drawing	SD-35182-039*



*image - Reference only*

**EU RoHS**

**ELV and RoHS  
Compliant**  
**REACH SVHC  
Contains SVHC: No**  
**Halogen-Free  
Status**

**China RoHS**



**Need more information on product  
environmental compliance?**

Email [productcompliance@molex.com](mailto:productcompliance@molex.com)  
 For a multiple part number RoHS Certificate of Compliance, [click here](#)

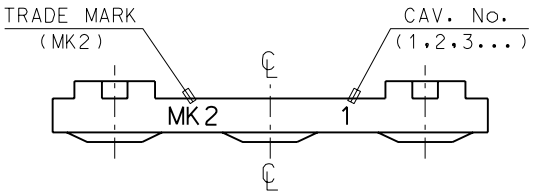
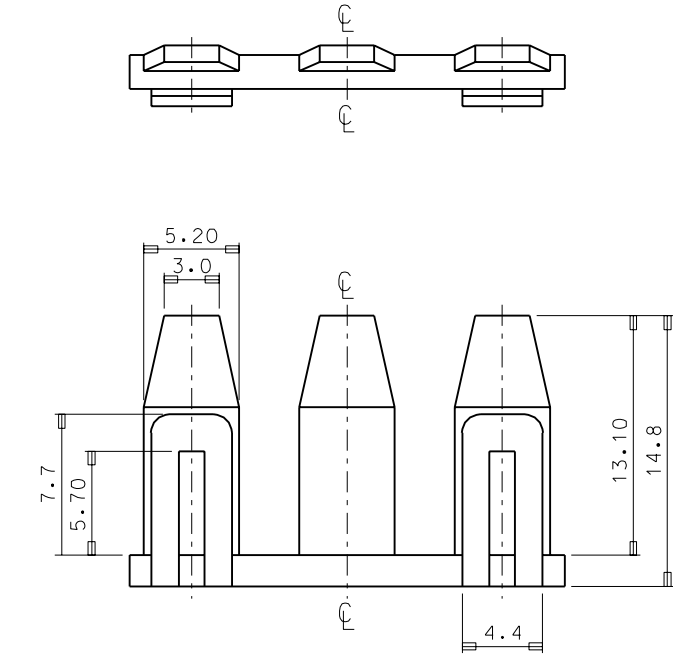
Please visit the [Contact Us](#) section for any non-product compliance questions.

**Search Parts in this Series**

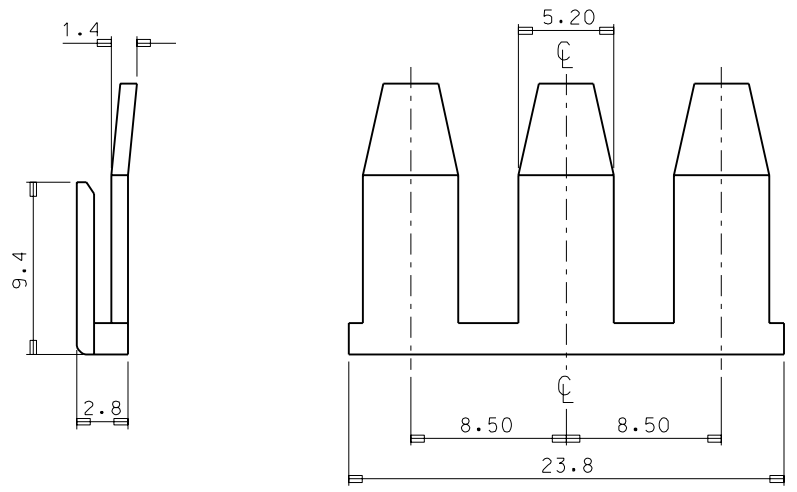
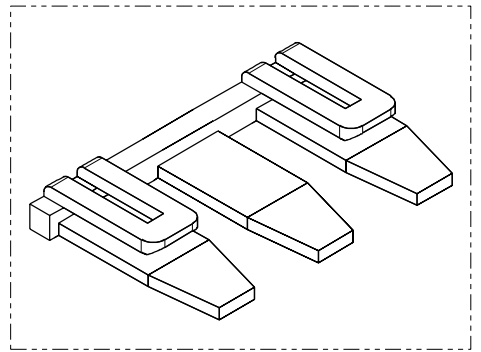
[35182Series](#)

**Use With**

[35180 Wire-to-Wire Male Housing](#)



- NOTES
1. MATERIAL : NYLON 66 (UL94V-2)
  2. COLOR : 35182-0390 (NATURAL)  
35182-0392 (RED)  
35182-0393 (YELLOW)  
35182-0394 (BLUE)
  3. MATCHED HOUSING : 35180-0600



				MATERIAL SEE NOTES		molex MOLEX-KOREA CO.,LTD.	
				GENERAL TOLERANCE DIMENSION : ±0.3		DRAWN BY J. S. KANG	
				ANGLE : ±1°		CHK'D BY	
				DIMENSION CLASSIFICATION		APP'D BY	
				▽ : CRITICAL ▼ : MAJOR		SCALE 4/1	
				() : REFERENCE		TITLE :	
A	NEW RELEASED	PDR 94-041	95.9.28	ASS'Y PART		.070 MULTI FEMALE HOUSING T.P.A-3P	
LTR	REVISION RECORD	ECN	DATE	DESCRIPTION ENG. NO.		SHEET 1 of 1	
REVISE ONLY ON CAD SYSTEM				---		ENG. NO. SD 35182-039*	
				---		REV A	